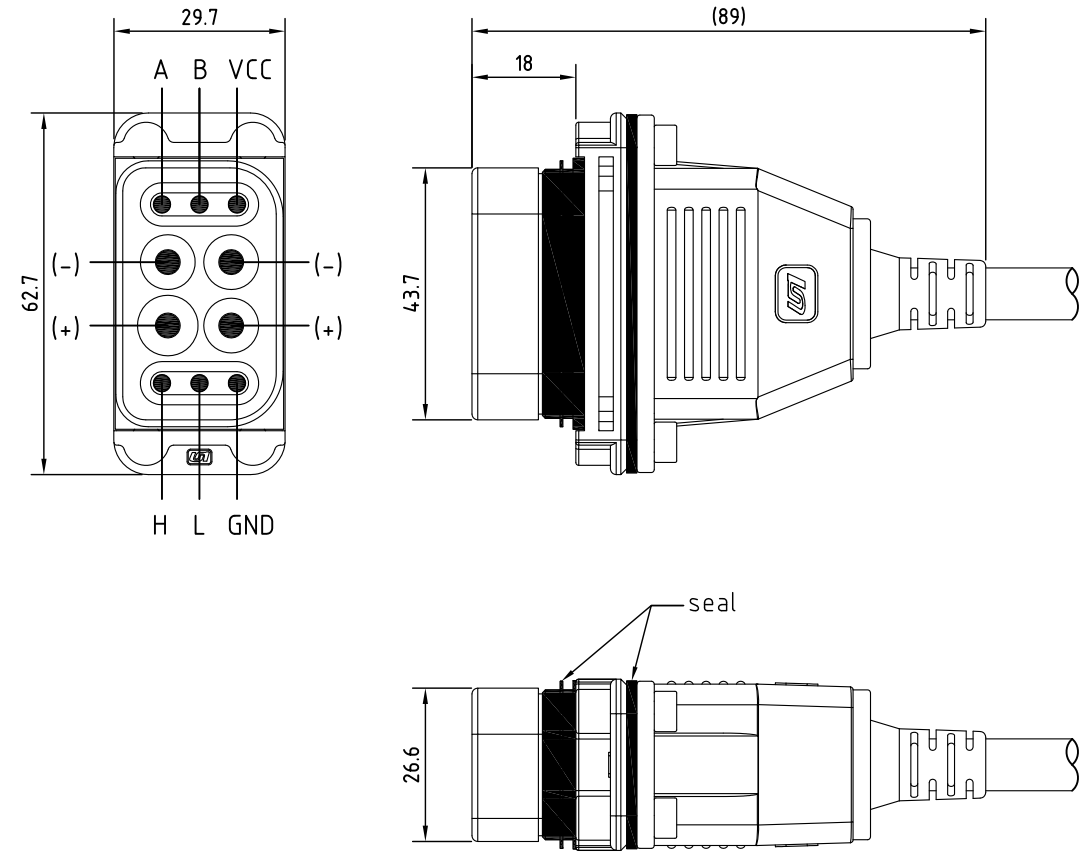


REV.	Description	Date
1	contact resistance revise	2016/4/19

Electronical Characteristics

- Rated voltage : 600V
- Rated current : Large pin 30A
Small pin 5A
- Contact resistance : Large pin <5mΩ
Small pin <30mΩ
- Insertion force : <80N
- Withdrawal force : <80N
- Operating temperature: -20°C TO +85°C



RoHS
TOLERANCE X±0.5 X.X±0.3



Unicable Co., Ltd. 國陽電業有限公司
5F., No. 111-33, Sec. 4, San Ho Road, San Chung City, Taiwan, R.O.C.
<http://www.unicable.com.tw> TEL:+886-2-2286-2122 FAX:+886-2-2286-1010

ITEM	Connector Male	UNIT	MM	PART NO.	UT-4323T1
		DATE	2016/10/7	REV.	1
		DWN	GINA	CHK	